

Redux[®]

DECKING EVOLVED

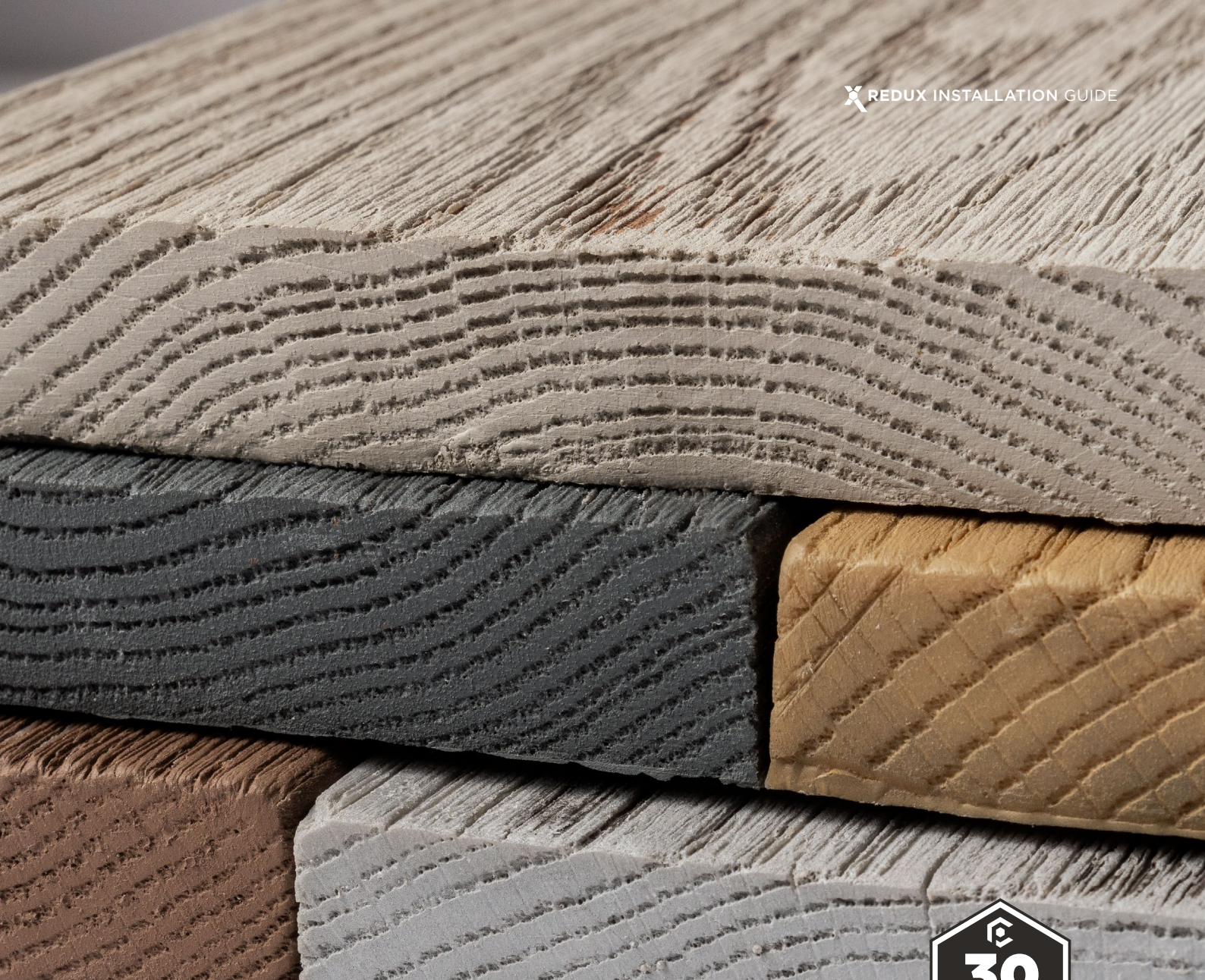
Installation GUIDE



CONTENTS

Product Benefits	1
Redux Decking Range	2
Redux Decking Accessories	3
Tool List	4
Health and Safety	5
Subframe	6
Before Installation	8
Board Spacing and Preparation	9
Fixing Boards	11
Accessory Installation	13
Tolerances	15
FAQ	16
Care and Maintenance	17





PRODUCT BENEFITS



AMERICAN RED OAK GRAINS

Cast from 100-year-old oak timbers for a bona fide timber aesthetic.



20 PLUS UNIQUE BOARDS

Over 50 metres of unique woodgrain provides an ultra-realistic appearance.



END GRAINS & SIDE GRAINS

Cast on 5 sides, displaying authentic grains on the top, side & end surfaces.



HIGH SLIP RESISTANCE

Deep enhanced woodgrain provides advanced slip resistance.



FACE FIX SCREW TECHNOLOGY

Redux® can be installed directly through the face of the board using no clips or plugs.



SOFT TOUCH FINISH

The surface of Redux® is soft to the touch, giving it a luxurious feel.



HAND FINISHED

The colouration of each Redux® deck board is finished by hand.



MOISTURE RESISTANT

Contains no timber, meaning Redux® is highly resistant to moisture.

REDUX® DECKING RANGE

Luxury solid board Composite Decking with an ultra-realistic, enhanced woodgrain.

The result of many years of research and development to create a deck board that truly replicates natural red oak, Redux® has been cast from aged American Red Oak timbers and is hand finished in six naturally aesthetic colourways.

Redux® is produced using over 50 metres of unique woodgrain which provides an ultra realistic timber appearance, this results in over 20 Redux® board variations.



COLOUR RANGE



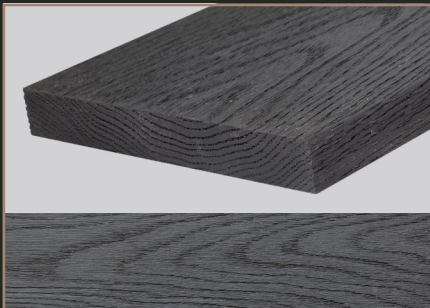
HAVANA



FAWN



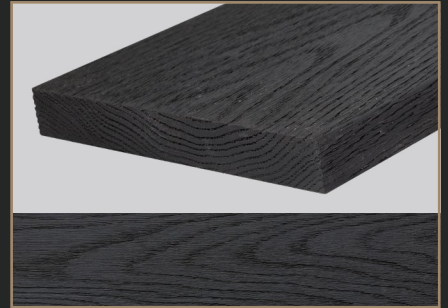
CASHMERE



DUSK



SMOKE

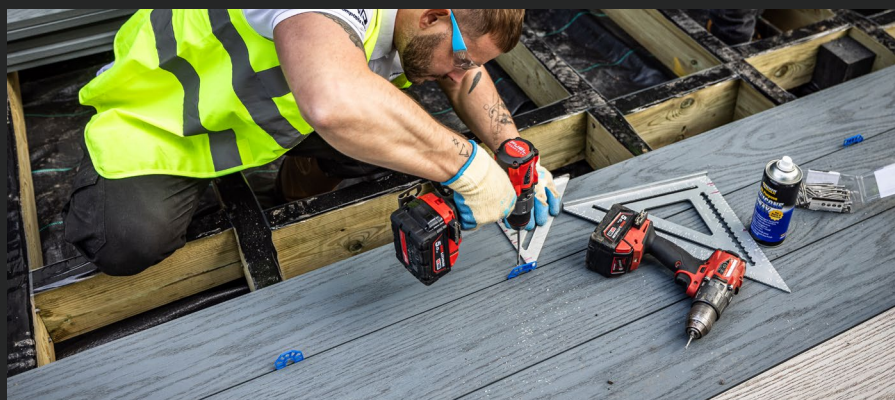


SHADOW

Board Dimensions: 22 x 176 x 3600mm

REDUX® DECKING ACCESSORIES

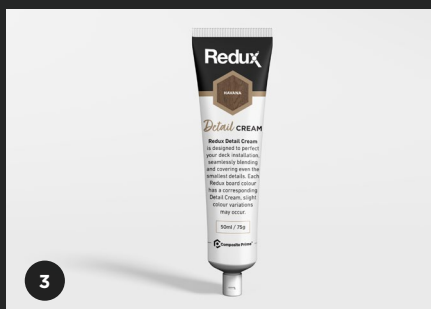
Redux® offers a range of thoughtfully curated accessories to assist you in the installation of your Redux® Deck. From installation to final touches, no details go unnoticed to ensure a high quality finish for your deck.



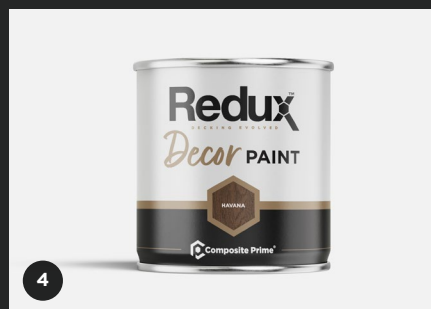
FASCIA



FLEXIBLE BULLNOSE



DETAIL CREAM



DECOR PAINT



SIDE FIX SCREWS



FACE FIX SCREWS



SIDE FIX TOOL

1. Fascia Board 16 x 187.5 x 3600mm 2. Flexible Bullnose 22 x 50 x 3600mm 3. Detail Cream 50ml / 75g per tube 4. Decor Paint 100g per tin 5. Side Fix Screws 150 screws per box 6. Face Fix Screws 300 screws per box 7. Side Fix Tool

REDUX® DECKING ACCESSORIES

Redux® offers a range of thoughtfully curated accessories to assist you in the installation of your Redux® Deck. From installation to final touches, no details go unnoticed to ensure a high quality finish for your deck.



1

FASCIA



2

FLEXIBLE BULLNOSE



3

SIDE FIX SCREWS



4

FACE FIX SCREWS



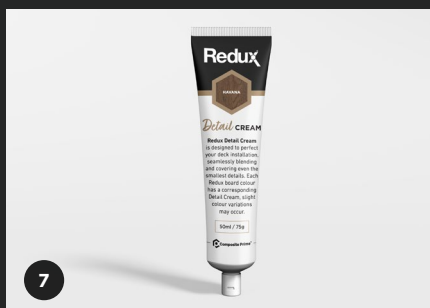
5

SIDE FIX TOOL



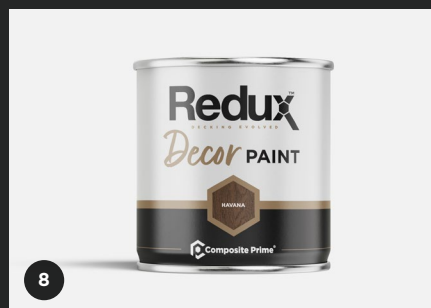
6

SPACING TOOL



7

DETAIL CREAM



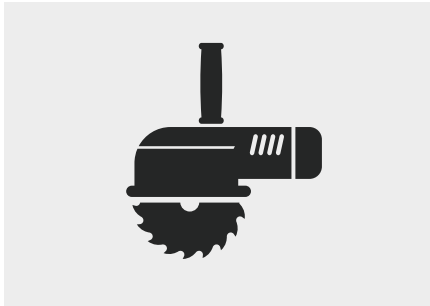
8

DECOR PAINT

1. Fascia Board 16 x 187.5 x 3600mm 2. Flexible Bullnose 22 x 50 x 3600mm 3. Side Fix Screws 150 screws per box 4. Face Fix Screws 300 screws per box 5. Side Fix Tool 6. Spacing Tool 7. Detail Cream 50ml / 75g per tube 8. Decor Paint 100g per tin

TOOL LIST

To install your perfect Redux® deck we recommend using the following tools and equipment:



MITRE SAW

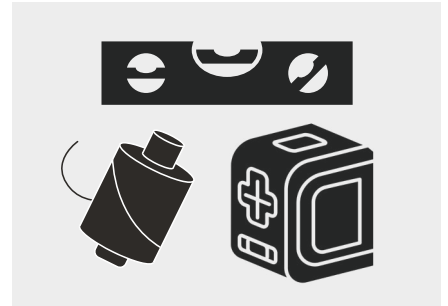
You can cut Redux® boards using conventional wood-cutting tools such as a mitre saw, jigsaw. For optimal results, we recommend utilising a saw blade equipped with carbon-tipped edges & high teeth count.



CORDLESS DRILL

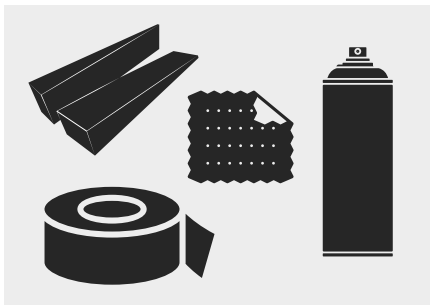
Our Redux® fixings can be securely fastened through the boards using standard cordless drill drivers.

NOTE: DO NOT USE impact drivers for the installation of Redux® boards.



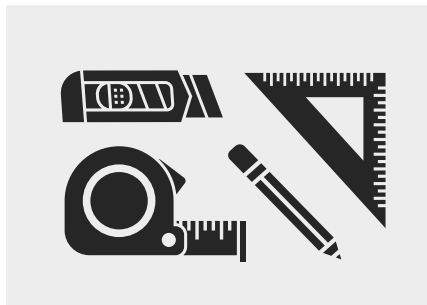
LEVEL AND STRING LINE

Utilising a level and string line during installation is crucial in the subframe stages and throughout to ensure the foundation of your Redux® Deck is even. You can use a traditional spirit level or string line, or a more advanced method with a laser level.



CONSUMABLES

Achieving a seamless, and long lasting Redux® Deck install is easy with the right consumables. Utilising Silicone / PTFE Lubricant Spray, Microfibre cloths, Packing Wedges & HD Protect™ Tape will help you achieve a clean, level aesthetic that will last.



TOOL SET

To successfully carry out the installation, a range of standard carpentry tools will be required. These essential tools include a tape measure, pencil, rafter square, planer, Stanley knife, surform, and a set of drill bits.



PPE (PROTECTIVE PERSONAL EQUIPMENT)

During your Redux® Install there are multiple health & safety precautions to be aware of, wearing the correct PPE, protective gloves and eyewear will ensure potential risks are avoided.

PROTECTIVE PERSONAL EQUIPMENT

When commencing any construction projects, it is important to wear appropriate protective attire and safety gear to limit the risk of potential injuries. When handling and cutting timber and Redux® boards, it is highly recommended to adhere to the following health and safety advice:



Wear **protective gloves** to safeguard your hands and avoid any injuries.



Ensure the use of **safety glasses** equipped with side shields or goggles.



Long-sleeved shirt and trousers for additional coverage.



Always wear a N99 or FFP3 face mask when cutting timber and Redux® boards to shield yourself from dust.



Wear **knee pads** when installing Redux® boards to protect your knees from potential injuries.

PRECAUTIONS

Redux® Deck Boards contain glass fibres for reinforcement, although it is unlikely, when wearing the correct PPE, these fibres may cause irritation. If irritation occurs it is important to follow these First Aid measures.

SKIN CONTACT



Refrain from scratching or rubbing the affected area to minimise further irritation.



Promptly rinse the affected area with cold water, then wash with soap.

DO NOT USE HOT WATER



If skin irritation persists, seek medical advice.

EYE CONTACT



Refrain from rubbing or scratching your eyes.



Immediately rinse your eyes, and surrounding areas with a generous amount of cold water. If available use an eye bath to cleanse the eye.



If eye irritation persists, seek medical advice.

HD PROTECT™

A Composite Prime Product

IMPORTANT

To maximise the life span and performance of your subframe we recommend using **HD Protect™ Premium Joist Tape**.

Installing the tape to the top of the subframe and all exposed cut ends of the joists will extend joist life by preventing water ingress within the framework between the deck board and joists.

The HD Protect™ Tape is designed to seal around the screws to prevent joists rotting and loosening of screws.



TIMBER

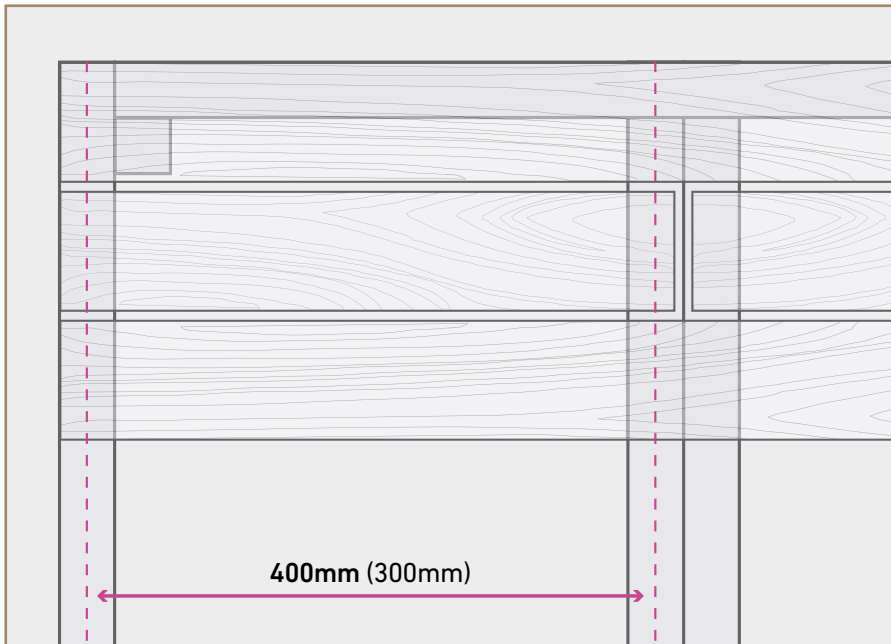
We recommend using UC4 Treated C24 47x100mm timber joists to construct the subframe. The subframe should be built with a slight gradient 1 in 100 (1%) that runs away from any adjoining buildings.

Treat the cut end of joists beams and posts with UC4 or equivalent treatment.

TIMBER ALTERNATIVES

Dependent on your projects specification, alternative subframe materials maybe more suitable. plastic lumber subframe is popularly used to eliminate the potential water ingress. Alternatively Aluminium subframes may also be specified on certain applications.





STANDARD SUBFRAME INSTALLATION

RESIDENTIAL:

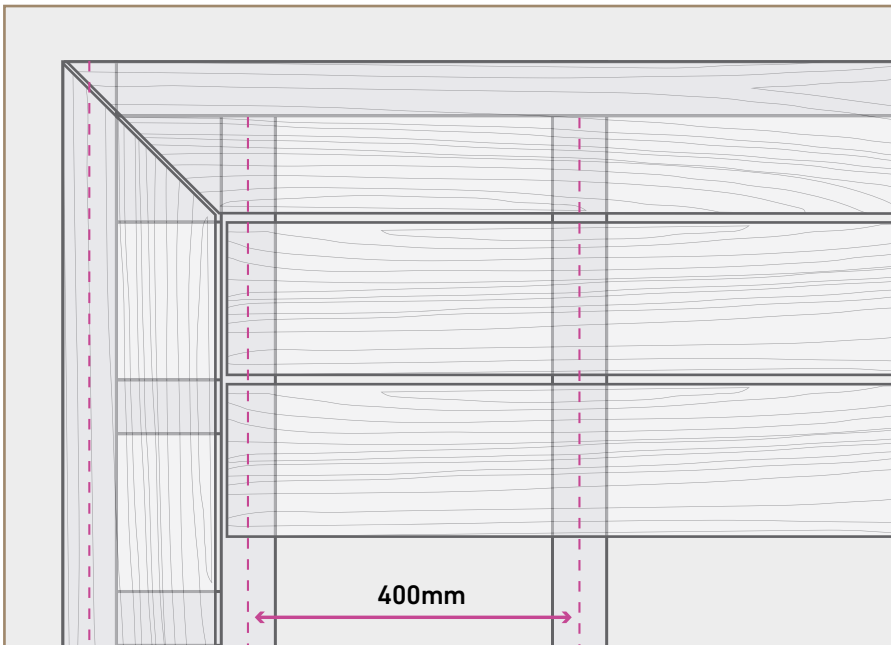
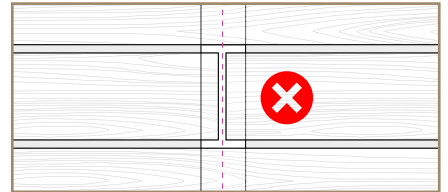
- Set the subframe centres at 400mm
- Double joist where boards meet end to end

COMMERCIAL:

- Set the subframe centres at 300mm
- Double joist where boards meet end to end

NOTE

Do not join multiple boards on a single joist.

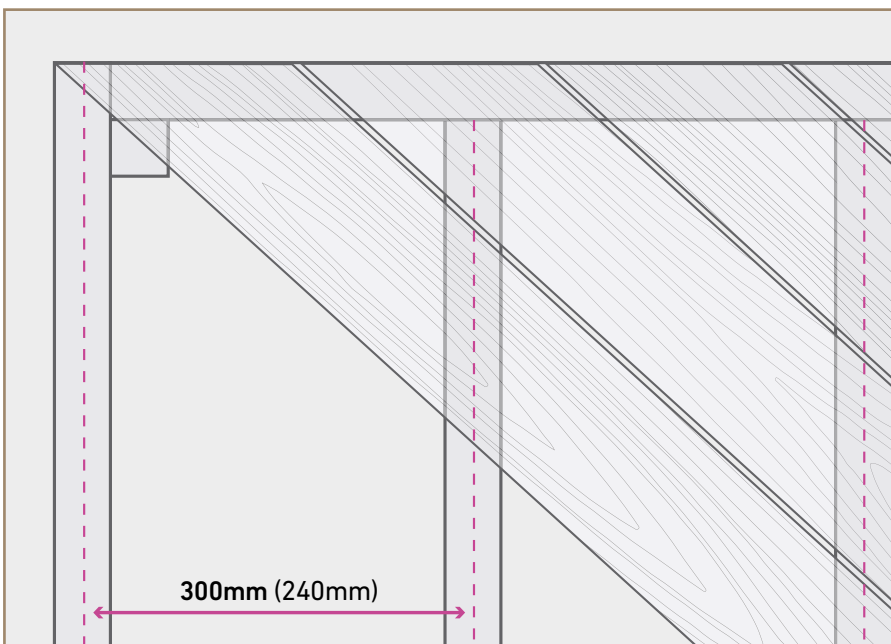


PICTURE FRAME INSTALLATION

Picture Framing is commonly used to add detail to your Deck install.

It is important to correctly support the edges of your decking to allow for boards running perpendicular to the internal deck boards and mitred edge corners.

You can do this by adding additional joists and noggins where applicable as per the illustration shown.



DIAGONAL FRAME INSTALLATION

RESIDENTIAL:

- For diagonal installations the centres should be reduced to 300mm

COMMERCIAL:

- Diagonal centres recommended 240mm for commercial applications

NOTE

For commercial applications check loadings and reduce centres as required.

BOARD VARIATION

Redux® has 20 plus unique boards with over 50 metres of unique woodgrain, that provides an ultra realistic appearance.

It's important to inspect the wood grains and colours. We recommend laying the deck out before fixing the boards so you can adjust the pattern of the boards to your personal preference before fixing. Any changes can be made at this stage with minimal wastage of time and materials.



TIP

If you have deck boards supplied from multiple packs, we recommend randomly mixing the boards from each pack throughout the deck for a natural appearance.

CAUTION

DO NOT USE an impact driver to install the Redux® screws, they can cause excess debris to be trapped between the board and the outer skin resulting in an uneven surface.

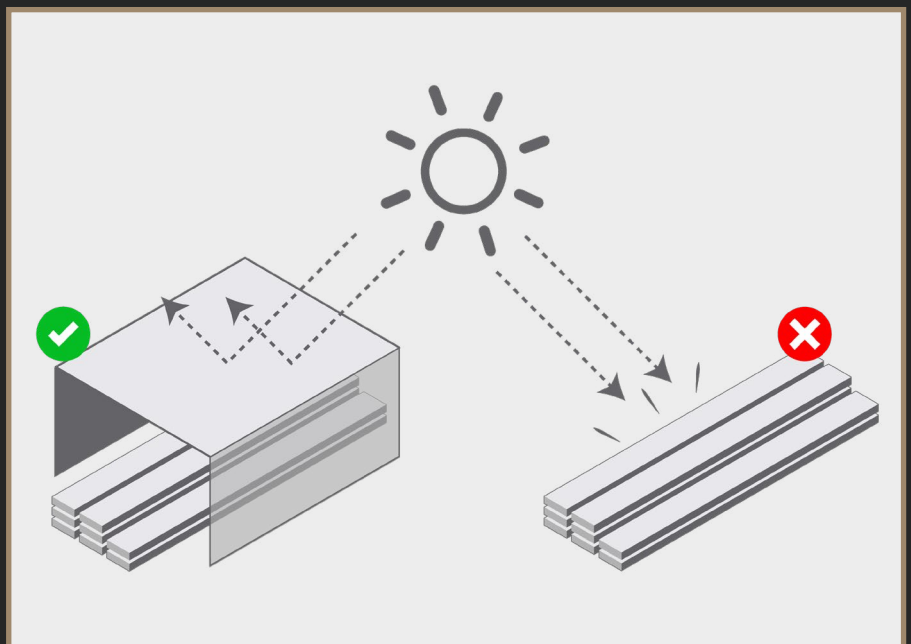
NOTE

Once a board has been secured the screw will be embedded in the surface making it very difficult to remove without damage. Take care to ensure each board is perfectly aligned before securing with screws and continue to check the board location as you progress.

STORAGE

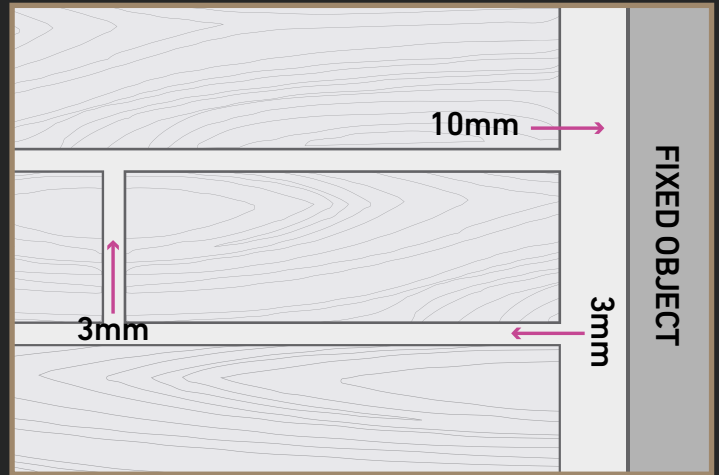
Prior to installing your Redux® deck boards, all boards should be kept in the shade, or under a shelter, out of direct sunlight. This ensures all boards remain at the same ambient temperature, with minimum chance of expansion before measuring and cutting.

This will ensure that all cuts remain accurate and consistent throughout the installation.

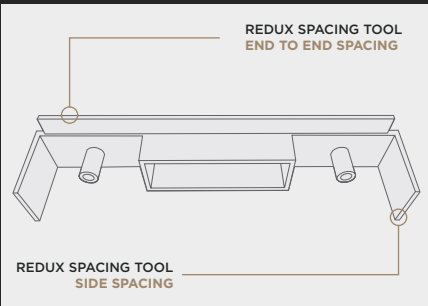


BOARD SPACING AND PREPARATION

END TO END: 3mm
SIDE TO SIDE: 3mm
TO FIXED OBJECTS: 10mm
 to aid airflow and drainage.
MITRES: 0mm - Board mitre ends may be butted up to each other.



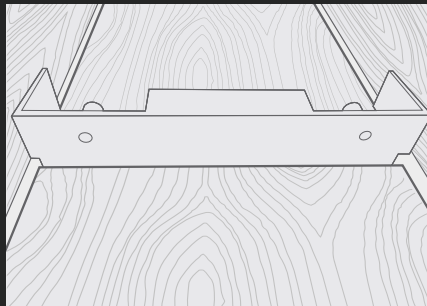
BOARD SPACING



REDUX SPACING TOOL

The Redux® Spacing Tool helps you quickly set correct board spacing and dovetail positions.

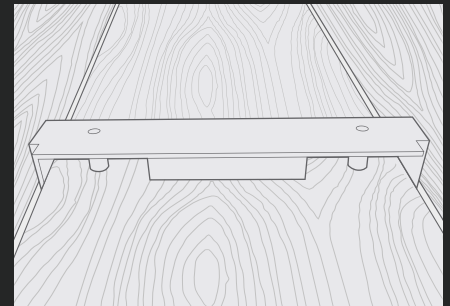
If you don't have the tool, fix Redux® boards 25 mm from the board edge and use 3 mm spacers between boards.



END TO END SPACING

Install boards with a 3 mm gap at the ends. Set spacing with the Redux® Spacing Tool or a 3 mm spacer.

A double joist is required where boards meet at the ends.



SIDE SPACING

Using the Side panels of the Redux® Spacing Tool creates the perfect gap for side to side spacing.

If you don't have the tool, fix Redux® boards 25 mm from the board edge and use 3 mm spacers between boards.



BOARD PREPARATION

When cutting your Redux® deck boards finish cut ends with the Redux® Decor Paint. This will create a high quality seamless finish throughout the deck.

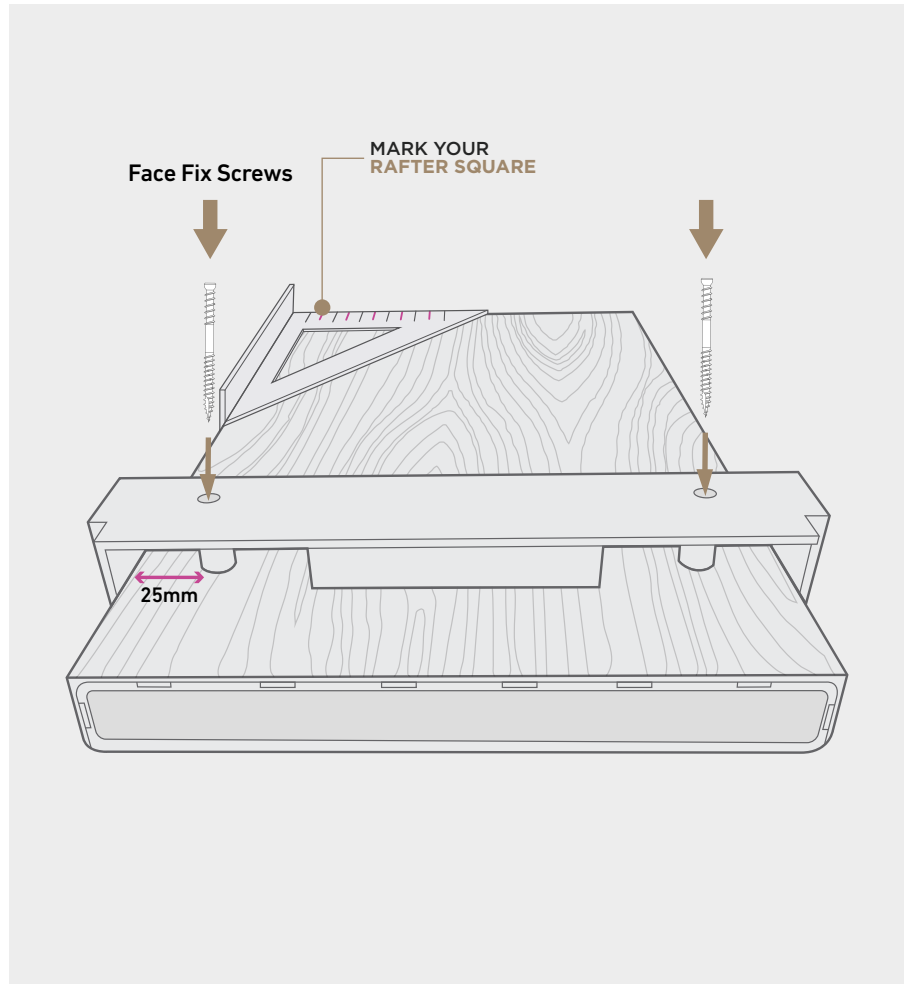
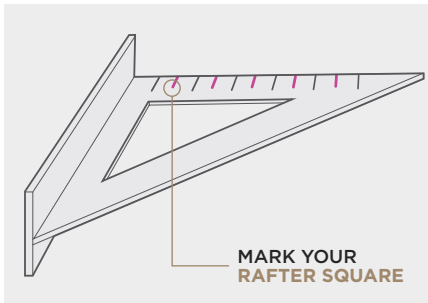


FIXING POINT LOCATION

Redux® is designed with a dovetail system where the surface layer is bonded to the core. For a high quality fit and finish its important the screw penetrates the board through the dove tail which is 25mm from the side of the board. Utilising the Redux® spacing tool will ensure the screw hits the dove tail each time.

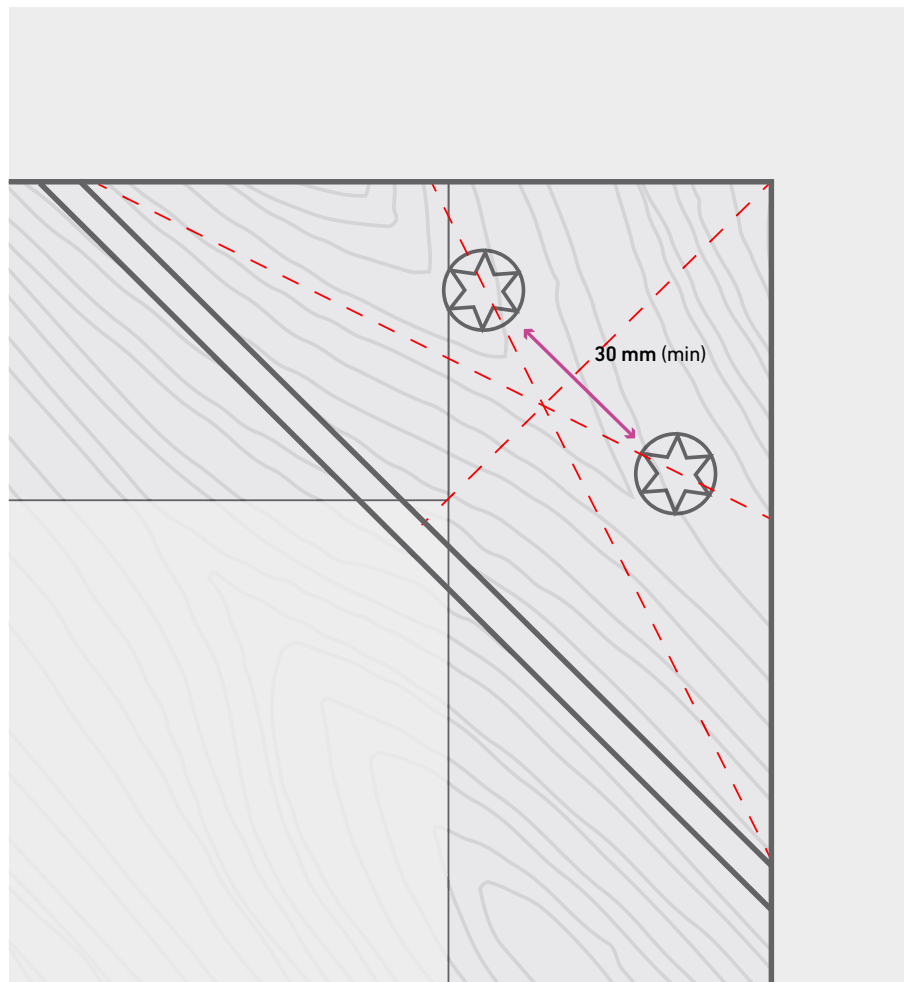
NOTE

Mark your rafter square 22mm to create an easy guide for where to install Face Fix Screws.



TRIANGLE PIECE FIXING LOCATIONS

When fixing small angled boards and detail pieces such as triangles the fixings should be spaced as per the illustration below. There should be a minimum of 30mm between fixings.



FIXING BOARDS

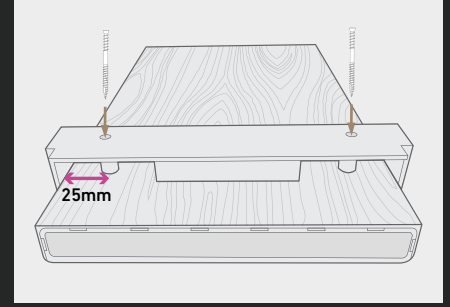
FACE FIXING

When using the Redux® Spacer, screw both screws into the board just enough hold their position.

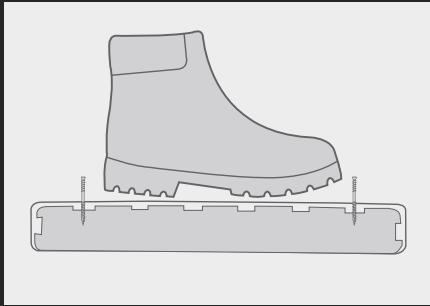
Remove the spacer and drive the screws the remainder of the way into the board in one motion ensuring the screws in 5mm below the surface of the boards.



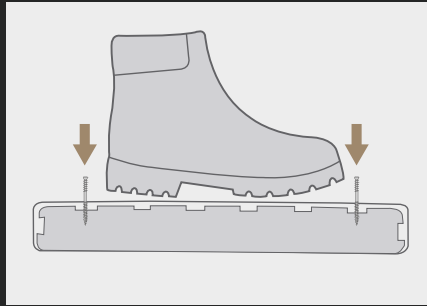
Before using the Face Fix Screws, open the box and spray the screws with a silicone or **PTFE** lubricant spray. Spray the screws until they are thoroughly coated. Also coat the Torx bit included with the Face Fix Screws, and attach to the driver. Keep screws and Torx bit coated with lubricant throughout the install of the deck.



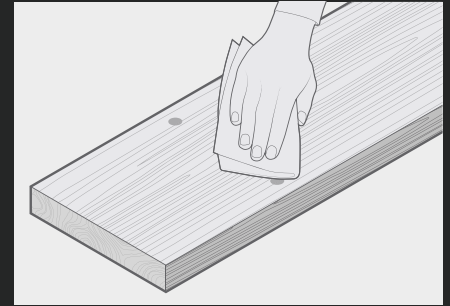
When using the Face Fix method, it is crucial that the screw penetrates through the dove-tails running 25mm apart throughout the board. Using the Redux® Spacer ensures the correct location is found, alternatively you can use a rafter square. Tack the screws into place to hold their position within the dovetails.



Remove the Redux® spacing tool and apply pressure to the board using your knee or foot, ensure that the board is laying flat against the joist for a secure fixing, if it is not laying flat, use packing wedges to level the board.



Maintaining pressure on the board, drive the screw the remaining way into the board in one continuous motion, ensuring the screw penetrates the below the dove tail, roughly 5mm below the surface of the board.



Wipe away any excess lubricant that collects on the surface of the board.

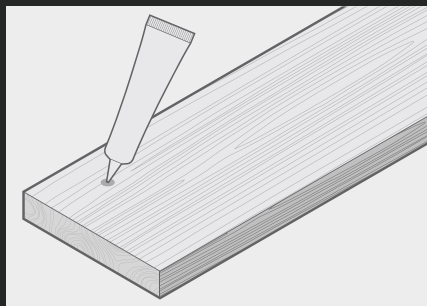
TIP: Better to go deeper than not deep enough! If necessary tap down the surface with a rubber mallet. Move to the next joist and repeat.

FINISHING THE DECK



DETAIL CREAM -The Redux® Detail Cream can be used to finish the deck by covering any visible marks left on the surface of the boards.

Use mild cleaning agents to clean the surface of the product around the screw hole.

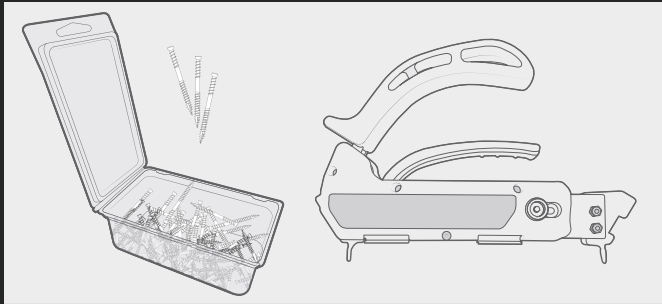


USAGE: Cream may set in the nozzle, remove this before use. Ensure the surface is clean and dry prior to application. Allow 24 hours for Detail Cream to fully set and cure. Avoid contact with food or beverages. Avoid contact with clothing and fabrics.

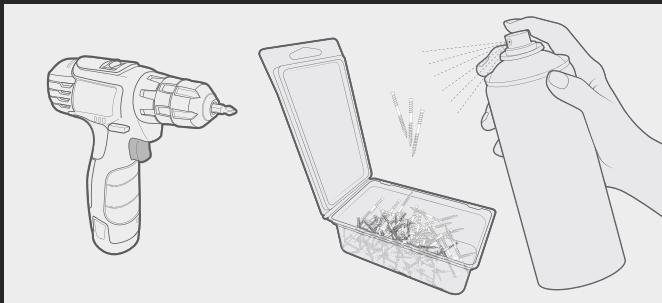


CAUTION: Strong detergents, like high concentrated alcohol, acid or alkaline detergents, oxidizers or certain chemical solvents are not compatible with the Redux® Capping material. Avoid these contradictions coming into contact with the Redux® Products.

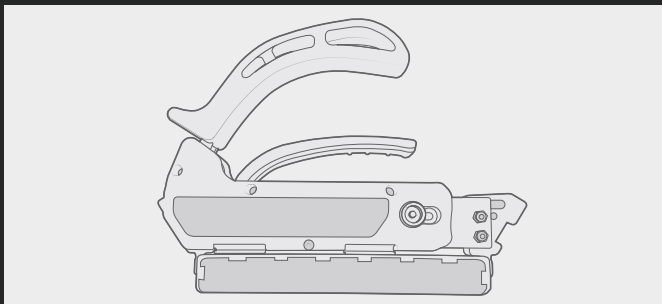
SIDE FIXING



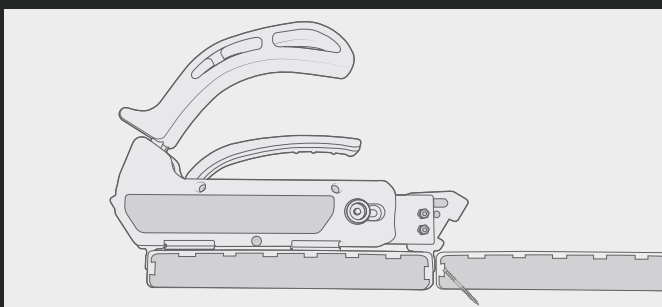
When using the Side Fix Installation method, it is imperative that you use the recommended Side Fix Tool in conjunction with our Redux® Side Fix Screws to ensure a proper installation.



Before using the Side Fix Screws, open the box and spray the screws with a silicone or PTFE lubricant spray. Spray the screws until they are thoroughly coated. Also coat the Torx bit included, supplied with the Side Fix Tool, and attach to the driver. Keep screws and Torx bit coated with lubricant throughout the install of the deck.



Clamp the Side Fix Tool into place over the board, pushing down to ensure there is no gap between the board and tool, keep in mind the placement of the end of your board sitting directly over the centre of the joist.



Before securing the Redux® Deck board in place, ensure the board is tightly fit with correct spacings, utilising the Side Fix Tool to space it for you, you can do this using a rubber mallet if required.



Apply pressure to the top of the board with your knee or foot, drive the screws in through the side fix tool until the drill meets the side fix tool and the torque limiter engages. Unclamp the side fix tool, move down the board to the next joist and repeat.

TIP

Install leading edge first.

ACCESSORY INSTALLATION

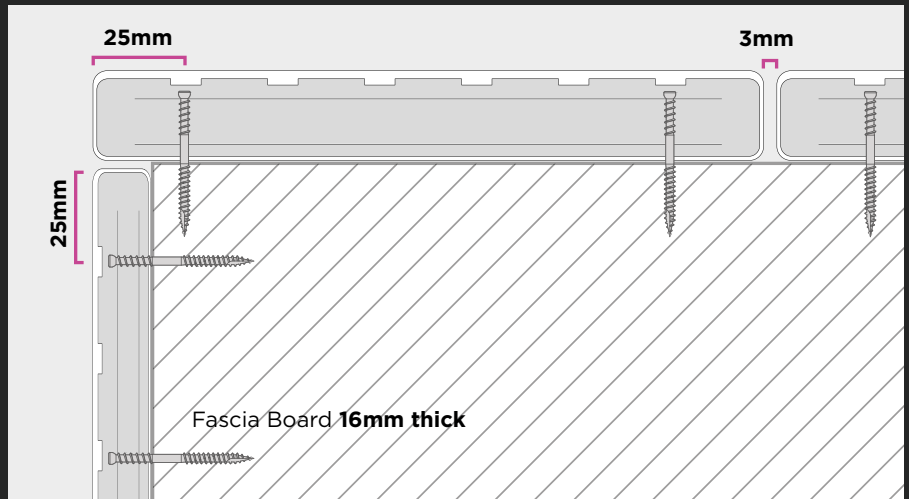
FASCIA BOARD

Fascia Board: **16 x 187.5 x 3600mm**

OPTION 1

FASCIA BOARD: FLUSH FINISH

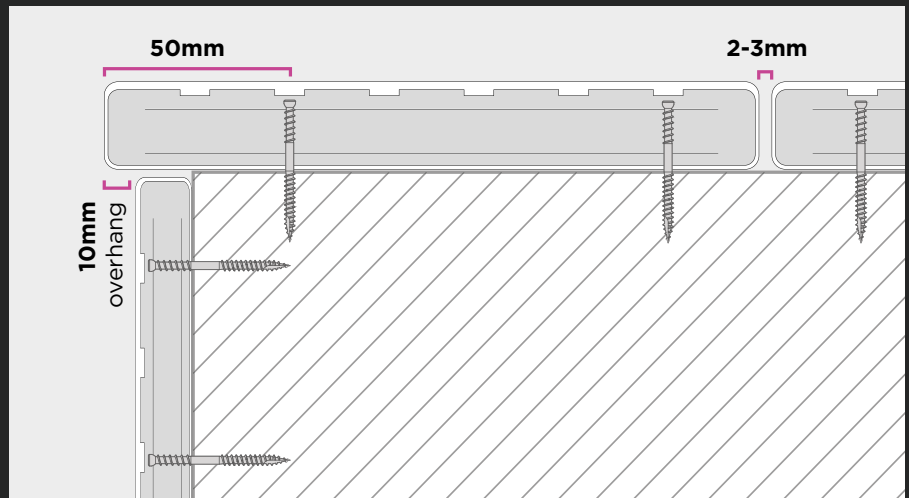
When fixing fascia boards, fasten the boards 25mm from the edge of the board and at a spacing of 25mm to the next fastener.



OPTION 2

FASCIA BOARD: OVERHANG

When fixing fascia boards, fasten the boards 50mm from the edge of the board. Maximum overhang for the decking board is 25mm.

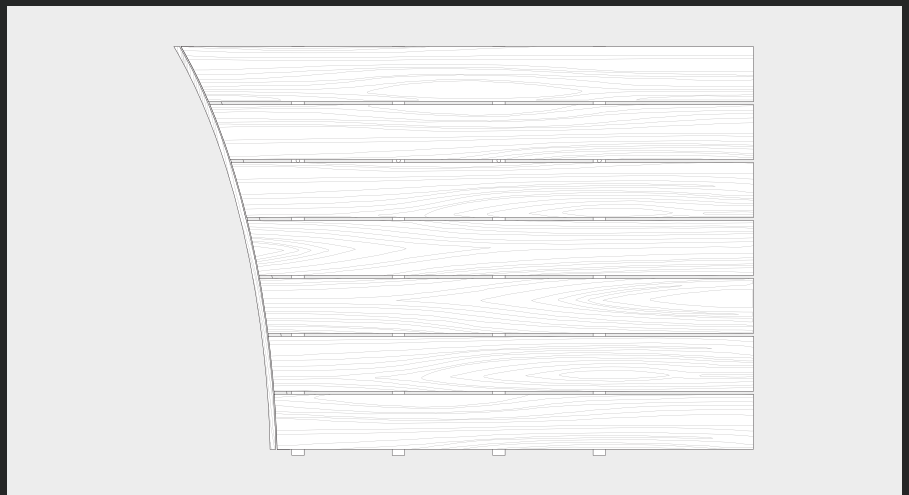


OPTION 3

FOR DECKS WITH A CURVED EDGE: CURVED FASCIA

The Redux® fascia board will bend to a radius of approx 1.2m.

To accomplish this the profiles will need to be at an ambient temperature of approximately 20 °C.



ACCESSORY INSTALLATION

CURVED FASCIA WITH FLEXIBLE BULLNOSE

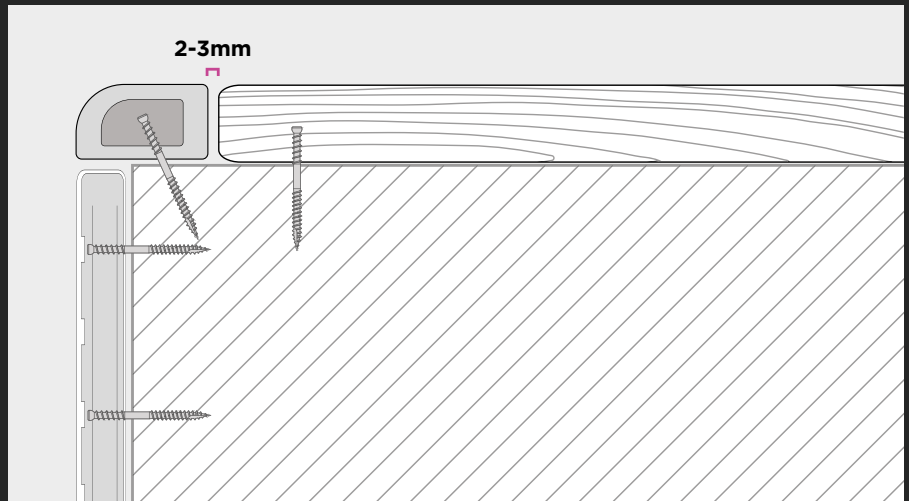
Flexible Bullnose: **22 x 50 x 3600mm**

OPTION 1

FOR DECKS WITH A CURVED EDGE: FLEXIBLE BULLNOSE

The Redux® flexible bullnose will bend to a radius of approx 1.2m.

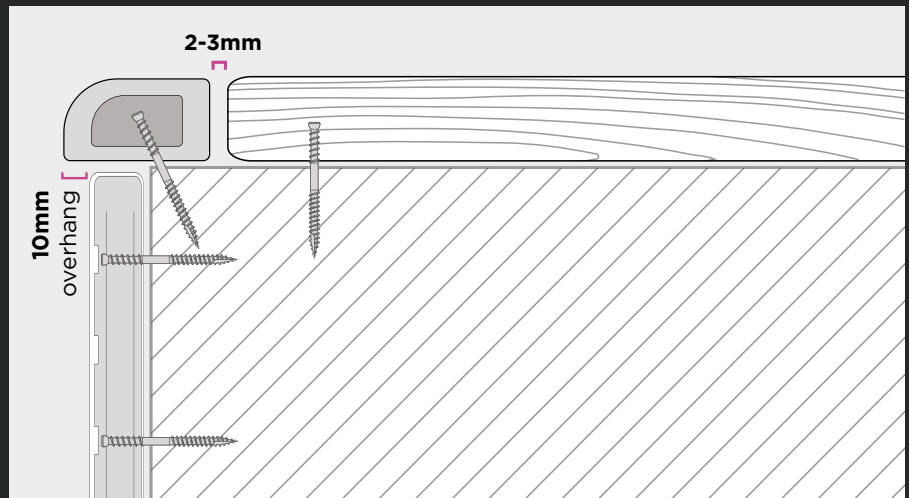
To accomplish this the profiles will need to be at an ambient temperature of approximately 20 °C. The maximum overhang for the flexible bullnose is 9mm.



OPTION 2

BULLNOSE BOARD: OVERHANG

When fixing fascia boards, fasten the boards 50mm from the edge of the board. Maximum overhang for the decking board is 40mm.

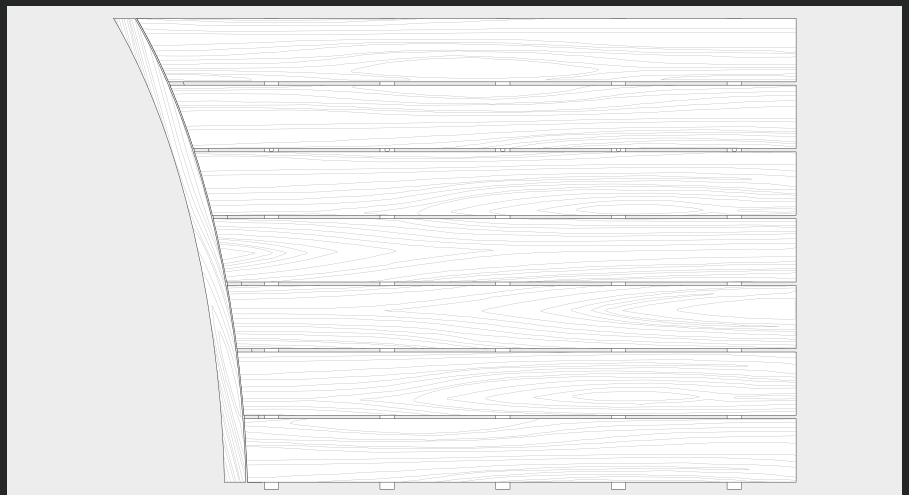


OPTION 3

FOR DECKS WITH A CURVED EDGE: CURVED BULLNOSE

The Redux® bullnose board will bend to a radius of approx 1.2m.

To accomplish this the profiles will need to be at an ambient temperature of approximately 20 °C.

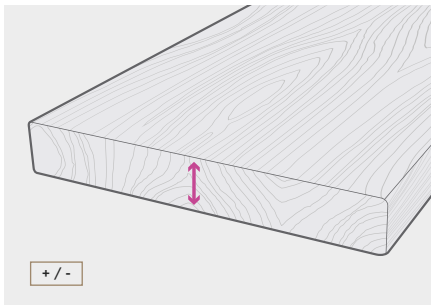


PRODUCT CHARACTERISTICS AND TOLERANCES

Due to the natural elements & characteristics of the Redux® Deck board, it is important to remember there may be some slight variations in the thickness, length, width, end edges and dovetails of the Deck Board.

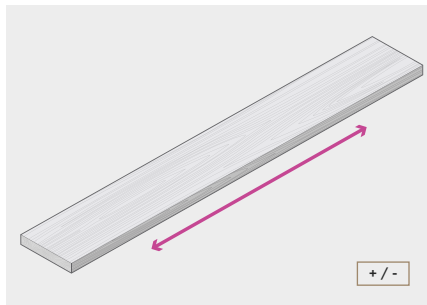
These variations are a reflection of the materials used and the natural properties and production process involved in creating the board.

Therefore, when planning your Redux® project, it is advisable to be aware and account for the tolerances to ensure the perfect fit. Despite the minor tolerances, each board is made from high quality ingredients to maintain strong durability you would expect from a solid deck board.



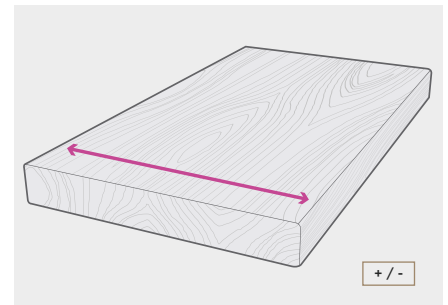
BOARD THICKNESS

The thickness of the Redux® Deck board can vary due to the natural woodgrain imitation process. This is typically between a specified tolerance range of +/- 1mm



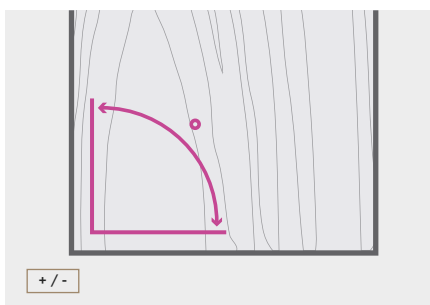
BOARD LENGTH

The length of the Redux® Deck board can vary due to the 20+ moulds used to create the varied natural look of Redux® boards. This is typically between a specified tolerance range of +/- 5mm



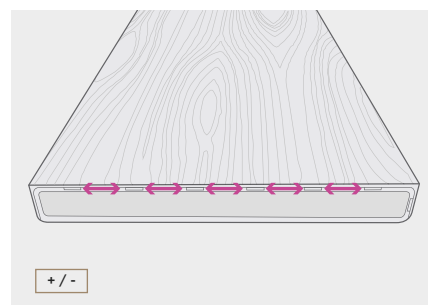
BOARD WIDTH

The width of the Redux® Deck board can vary throughout the batch depending on which mould has been used. This is typically between a specified tolerance range of +/- 1.5mm



END EDGE ANGLE

The end edge angle of the finished edge of the Redux® Deck Board has natural variation as a result of the elastine material used to give the woodgrain effect. This is typically between a specified tolerance range of +/- 5mm



DOVE TAIL

It is normal to see a variation in the spacing and thickness of the dovetail, screw markers, within the Redux® Deck Board. This is typically between a specified tolerance range of +/- 1mm

IS REDUX A STANDARD COMPOSITE DECKING?

Unlike normal Composite Decking Redux® contains zero timber resulting in a product that is resistant to moisture which increases its lifespan. It has 5 sided wood grain from.

HOW MANY REDUX BOARDS DO I NEED?

A Redux® board is 22mm deep by 176mm wide by 3600mm long (Nominal) and there are 1.6 boards per m2, we recommend adding 10% for detailed cuts and designs.

IS REDUX MAINTENANCE FREE?

Redux® is low maintenance and requires an element of periodic cleaning to ensure it keeps looking its best.

IS REDUX EASY TO FIT?

We always recommend using a competent installer for your Redux® project and we can provide you with an in depth fitting and installation guide.

HOW DO I GET A QUOTE?

Our team at Composite Prime® can provide you with a full quotation for your project, you can call the team on 0113 426 2770.

HOW DURABLE IS REDUX?

Redux® is highly durable and is manufactured using the highest grade materials along with a 35% recycled plastic content.

WHAT MATERIAL SHOULD I USE AS A BASE FOR THE DECKING?

We suggest that you use a treated / tanalised timber with graded UC4 or C24 for your subframe. This will provide a solid structure for you to apply the screws to and attach any fascia boards you may use to finish it off. Please remember to follow the fitting instructions when installing your deck, you can find all our fitting guides in the resources section.

DO I NEED TO TREAT THE JOISTS?

Before starting paint ends with treatment. To ensure you protect your timber from moisture that can lead to rot, we recommend that you use our self-adhesive HD Protect Tape™. This creates a waterproof barrier on the timber, and will prevent water ingress at fixing points.

HOW DO I FIX REDUX® BOARDS?

Redux® boards feature a face fixing technology which hides screws under the surface of the deck, when Redux® fixings screws are used, giving a clean aesthetic with minimal fixing marks. It is therefore essential that Redux® boards are fitted with Redux fixing screws.

DO I NEED TO USE AN EDGING BOARD OR BULLNOSE?

Redux® boards are cast on five sides displaying authentic timber grains on the top, side and end surfaces. Therefore in some installations there will be no requirement for an edging board or bullnose. Fascia and a flexible bullnose are also available where installations require them.

DO YOU RECOMMEND A CLEANING PRODUCT FOR REDUX® DECKING?

We recommend that you use warm soapy water to begin with or a pressure washer. For strong stains (such as berries), if necessary, a light solution of bleach and water can be used. Do not use abrasives.

DO YOU NEED SPACING GAPS FOR YOUR PRODUCT?

Redux® boards may expand and contract along their length due to changes in temperature, therefore adequate expansion gaps are needed between the ends of each board. The correct spacings can be found in our installation guide (Page 9).

CARE AND MAINTENANCE

Scan QR code to visit our website and learn more.



CARE GUIDELINES

Even though Redux® is a low maintenance product periodic cleaning is recommended, even if your deck appears clean it is important to prevent the build-up of pollen and debris that can cause mold growth.

It is recommended that furniture placed on Redux® is fitted with rubber or felt feet to prevent unnecessary scrapes. Periodically move, or remove, furniture, door mats, planters and other deck accessories to avoid differential weathering.

WARNING: When moving heavy objects that sit on your deck, make sure they are lifted and not dragged as the rough capped surface may be scratched or damaged which will not be covered by the warranty.

WEATHERING

During the first 6 - 12 months the colour pigments will stabilize, during this time fading may occur before weathering naturally.

CLEANING GUIDELINES

Domestic pressure washers maybe used with caution in conjunction with the spray nozzle at pressures under 1500 psi.

Pressure washers can be used to remove stains, ground-in dirt and chalk.

Keep a distance of at least 1ft between the nozzle and the deck to prevent damage to the deck.

Please exercise extreme caution as pressure washing can damage your deck if done incorrectly.

Try to avoid direct contact with the screw positions as this may enlarge the screw holes affecting the aesthetic of the face fixing screw technology.

If you notice any changes to the surface of your deck, stop immediately.

If unsure about the product being used to clean/remove stains from your deck, it is always recommended that you test a small area in an inconspicuous place to determine if the cleaning product will cause any unwanted discolouration.

DIRT, DEBRIS AND WATERMARKS

Clean the decking to remove dirt or debris by using soap, hot water and a stiff bristle. Rinse thoroughly.

MOLD AND MILDEW

Use an organic patio cleaner such as Algon or a sodium percarbonate oxygen activated bleach. Ensure all detergent is washed off after use.

RUST STAINS, GROUND-IN DIRT AND GRIME

Use a cleaning product containing oxalic or phosphoric acid base to lighten or remove the rust or dirt. Product may need to sit on stain 10-15 minutes. Rinse thoroughly.

CHALK MARKINGS

Scrubbing the area with hot soapy water may dislodge some of the chalk. Rinse thoroughly.

ICE AND SNOW

Calcium chloride or rock salt, available in many home centers, will melt ice on decking. Rinse thoroughly when practical.

OIL AND GREASE STAINS

Scrub with a household-degreasing agent as soon as the stain occurs. Rinse thoroughly with warm water.

BERRIES AND WINE STAINS

Mix an eco friendly sodium percarbonate bleach in hot water label. Scrub the stain lightly and immediately rinse the area thoroughly.

NOTE: Using too much bleach may cause lightening of the deck colour. The stain may not disappear entirely.

For any other technical, installation or care questions:

www.composite-prime.com/resources

or email us at: hello@composite-prime.com

REDUX® WARRANTY

Images and drawings are for illustrative purposes only. Redux® may be laid in a variety of patterns, we recommend that you draw out how you would like your deck to appear, making notes of joins and joists before starting the installation. For elevated decks greater than 600mm (0.6m) in height we recommend using a professional installer. **When cutting, always saw the board face up with a new fine-toothed blade to prevent dragging that can cause furring and split ends after installation. If making a large number of cuts, the blade should be replaced regularly.**

DON'T FORGET TO REGISTER YOUR WARRANTY, WITHIN 45 DAYS OF PURCHASE, AT:
www.composite-prime.com/register-warranty





WOULD YOU LIKE
more information?

0113 426 2770

hello@composite-prime.com

composite-prime.com